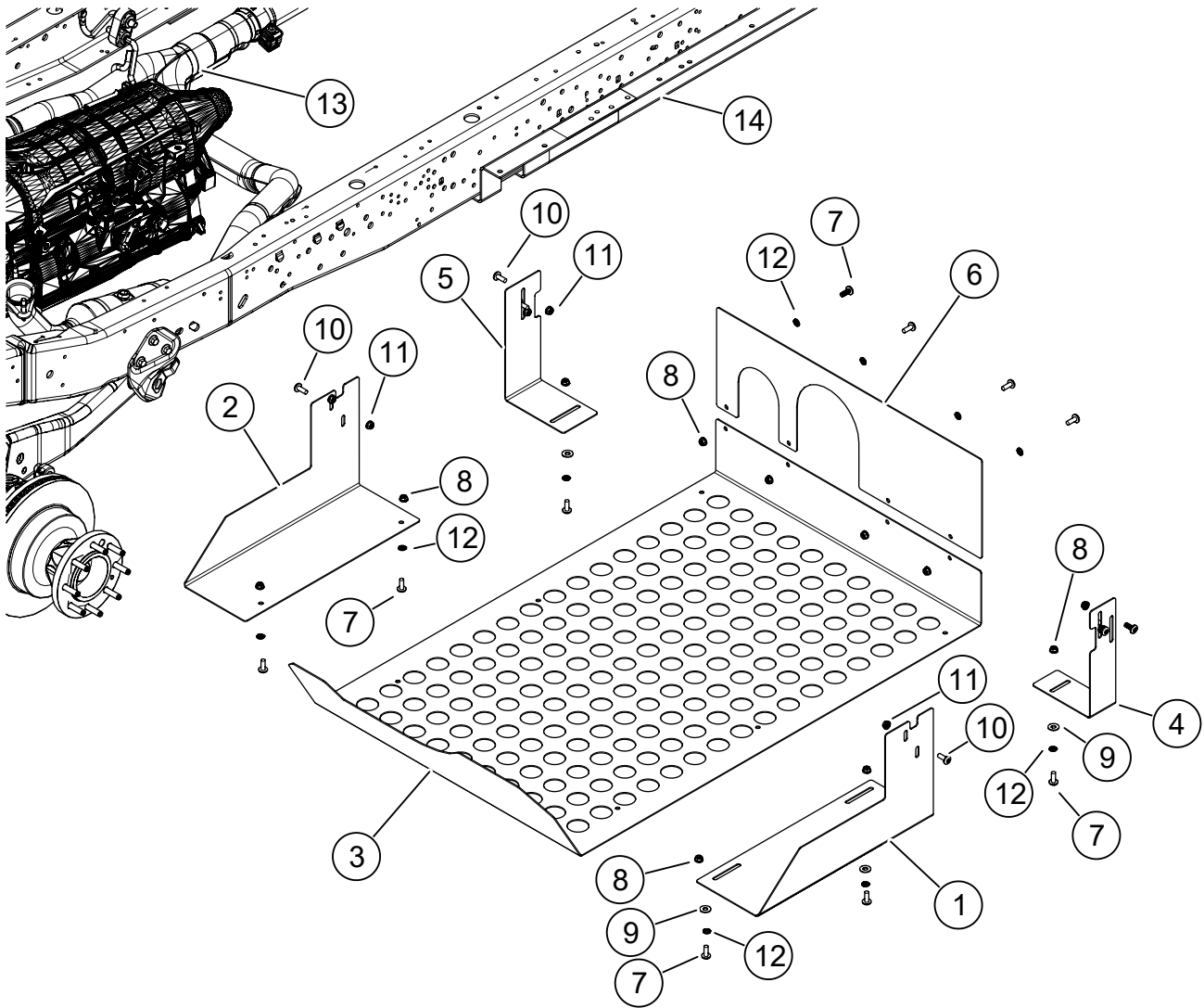




Subject: Installation of the catalytic converter protective cover

Applies To: Aeromaster built on Ford E-Series chassis



Overview of catalytic converter cover (floor and sidewalls omitted for clarity)

BOM ID	Part Number	Description	Qty.
0	51233169SK	COVER CATALYTIC CONVERTER	1
1	22830747	FRAME MOUNT LH FRONT SS	1
2	22830748	FRAME MOUNT RH FRONT SS	1
3	22830746	PLATE BOTTOM SS	1
4	22830749	FRAME MOUNT BRACKET REAR LH SS	1
5	22830750	FRAME MOUNT BRACKET REAR RH SS	1
6	22830186	PLATE TOP	1
7	11602580	SCREW PIN-IN-HEX 3/8-16 X 1.00 SS	10
8	0616FLNS	NUT FLG 3/8-16 LK SS	10
9	11000161	WASHER FLAT 3/8 USS SS	4
10	11600922	BOLT FLG 3/8-16 X 1.00 GR8 ZN	7
11	11600923	NUT FLG 3/8-16 PTLK GRD G ZN	7
12	11008001	WASHER 3/8" LOCK ZN	10
13	REFERENCE	CATALYTIC CONVERTER	
14	REFERENCE	CHASSIS FRAME RAILS	
NS	03105334	DECAL SERVICED JOB CODE YELLOW	1
NS	03102245-N012EN	E-SERIES CATALYTIC CONVERT CVR INST	1

Tools and Supplies Required:

In addition to standard shop tools this job also requires:

- Drill with 13/32" bit
- Right angle impact wrench
- Tamper proof hex bit socket set
- Torque wrenches with ft•lb increments
- Threadlocker high strength, red Permatex® or equivalent
- Rubberized undercoating spray, Rust-Oleum® or equivalent

CAUTION

Always wear safety glasses and other proper protective equipment (gloves, hearing protection, etc.) as appropriate to the process.

Take care to ensure proper clearance to avoid scuffing, nicking, or damaging any chassis components such as fuel lines, brake lines, wire harnesses, etc. Due to chassis manufacturer's variances, The Shyft Group cannot guarantee the exact locations of hole and component locations in all applications. Use these instructions as a guide. If not confident in performing this installation, STOP and contact Utilimaster Technical Support.

Procedure:

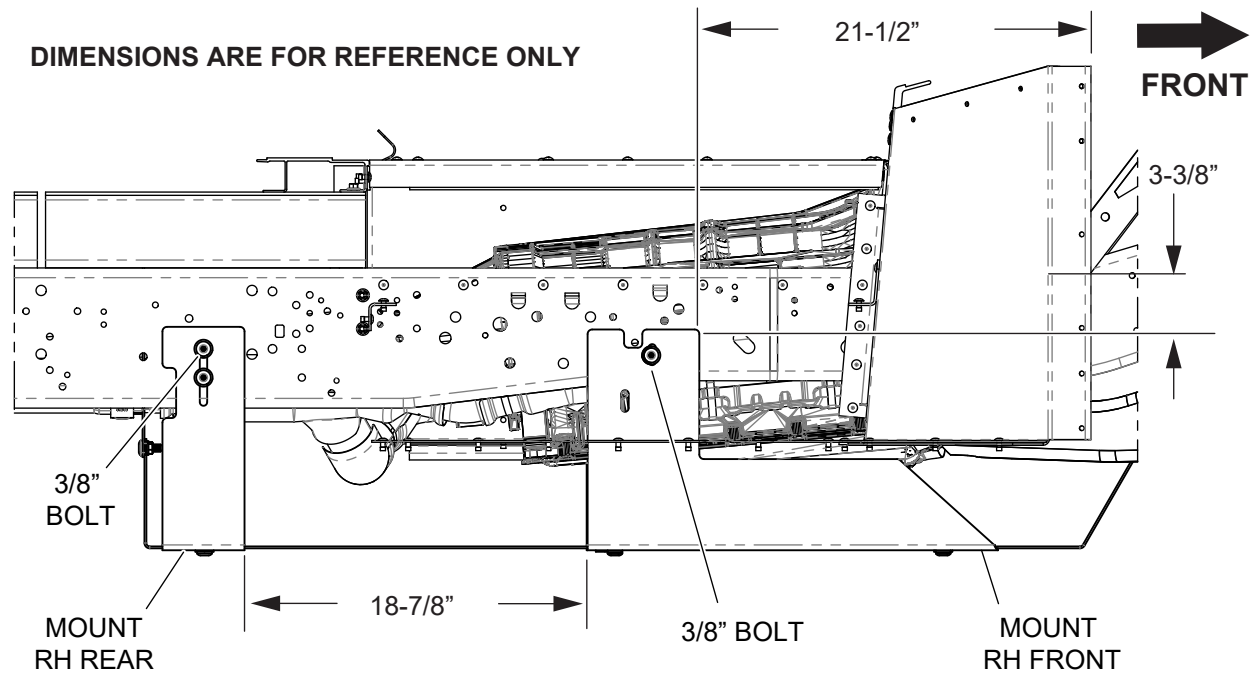
NOTICE

All hole locations should be present on the frame rail. If needed, enlarge holes using a 13/32" bit and apply undercoating to holes.

Dimensions are for reference purposes only.

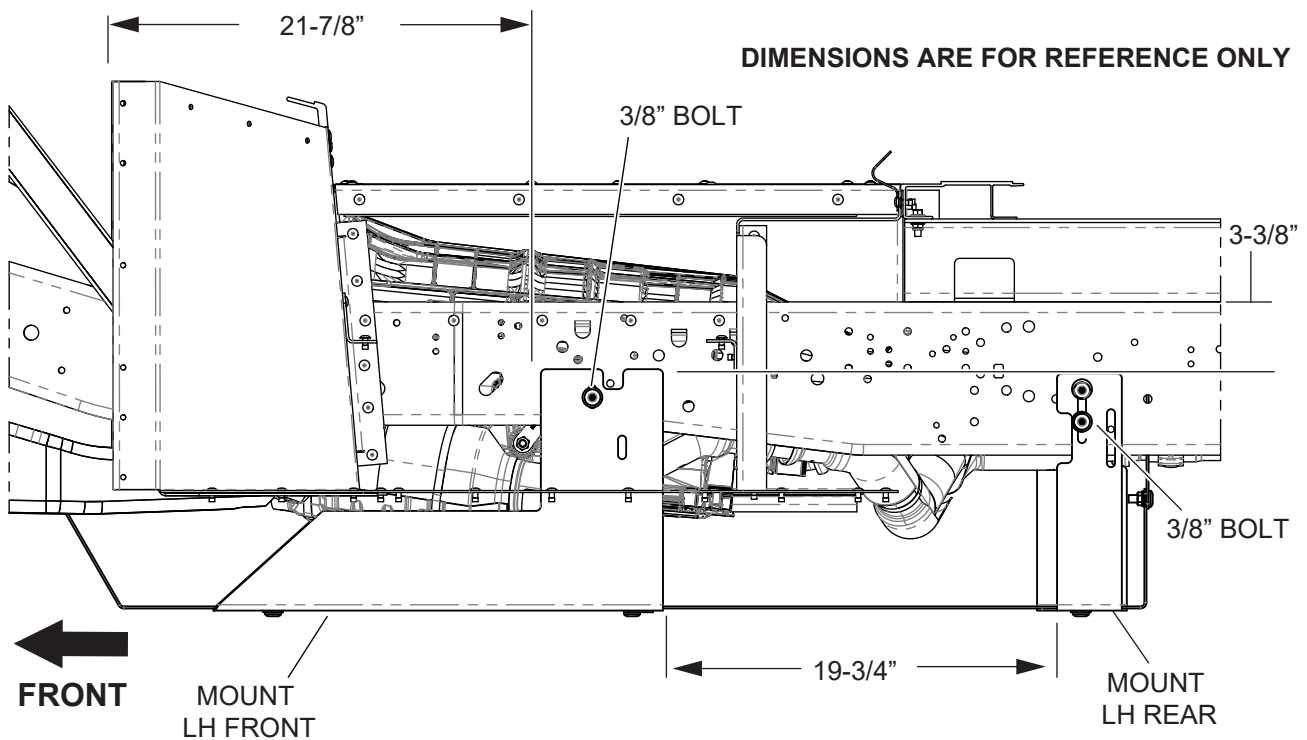
Apply high-strength threadlocker (red) to all bolt and screw threads prior to securing nuts.

1. Read and understand all the instructions before use.
2. Align the RH front frame mount to the existing holes in the frame rail.
3. Align RH rear frame mount to the existing hole in the frame rail.
4. Loosely secure frame mounts with 3/8" bolts and nuts.



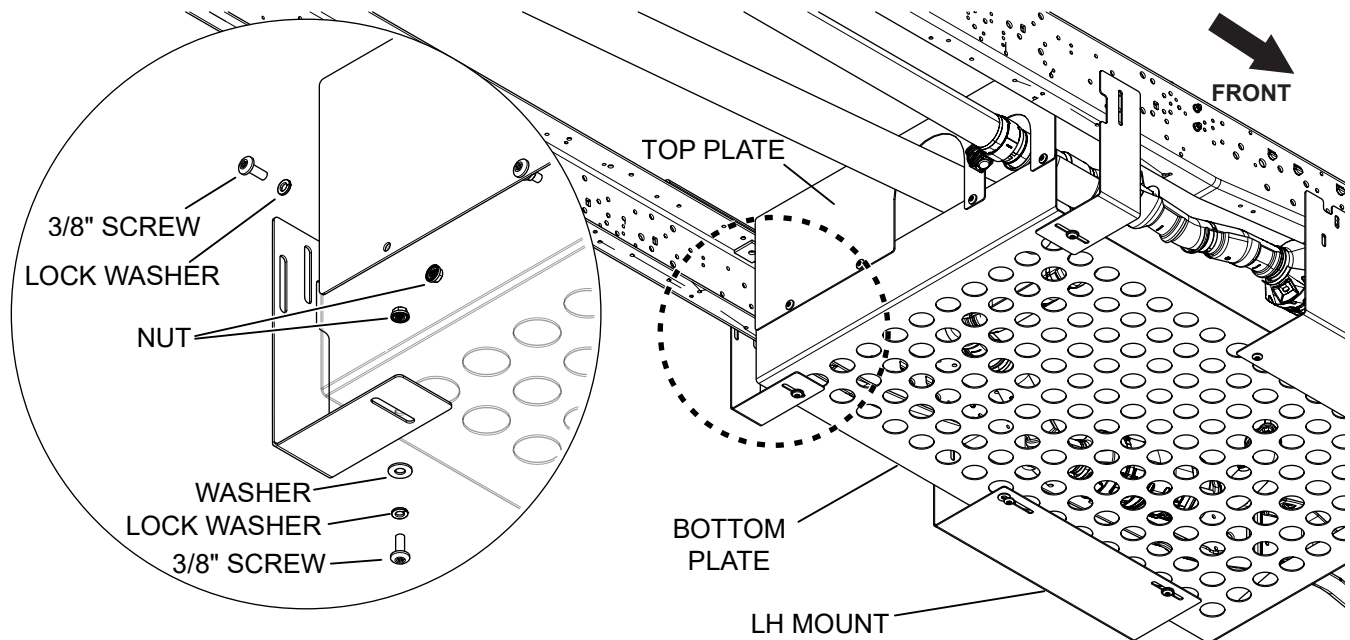
RH frame mounts (stepwell omitted for clarity)

5. Align the LH front frame mount with existing holes in the LH frame rail.
6. Align the LH rear frame mount with existing holes in the LH frame rail.
7. Loosely secure frame mounts with 3/8" bolts and nuts.



LH frame mount dimensions (stepwell omitted for clarity)

8. Secure the bottom plate on the **LH front and rear**, and **RH rear** frame mounts with 3/8" screws, lock washers, washers, and nuts. Secure **RH front** frame mount with 3/8" screws, lock washers, and nuts. Secure top plate with (4) screws, lock washers, and nuts.



Bottom and top plate fasteners

9. Torque (8) frame-mounted flange bolts to 54–59 ft•lb or torque nuts to 43–47 ft•lb.
10. Torque all other 3/8” screws to 25–28 ft•lb or torque nuts to 20–24 ft•lb.
11. Use Job Code 33169 from this document to complete the SERVICED decal.
12. Adhere the decal to the passenger side bulkhead wall between the seat back and the door pocket.



Contact Utilimaster for Technical Service

Email: FVSTechSupport@Utilimaster.com

Phone: 800-237-7806

Mail or Express Service:

Fax: 574-848-2800

Utilimaster
 Attn: Technical Support Department
 603 Earthway Blvd.
 Bristol, IN 46507 USA

This material is confidential and the property of The Shyft Group USA, Inc (Shyft). It is shared with your company for the sole purpose of helping you with the operation of the described equipment. Shyft makes no warranty of any kind with regard to this material, including, but not limited to, the implied warranties of merchantability and fitness for a particular purpose. Shyft shall not be liable for errors contained herein or for incidental or consequential damages in connection with the furnishing, performance, or use of this material. Shyft expressly disclaims all responsibility and liability for the installation, use, performance, maintenance, and support of third-party products. Customers are advised to make their independent evaluation of such products. No part of this document may be photocopied, reproduced, or translated to another language without the prior written consent. All products or name brands mentioned in this document are trademarks of their respective owners.